

Coastworks

Coastworks Operations Ltd
8 Allanton Park Terrace
Fairlie
Ayrshire KA29 0AW

Tel: +44 (0) 1475 568572
Fax: +44 (0) 1475 568153

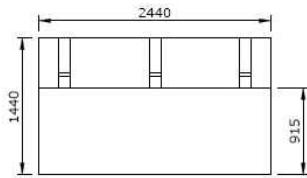


CW-5 Road transportable barge

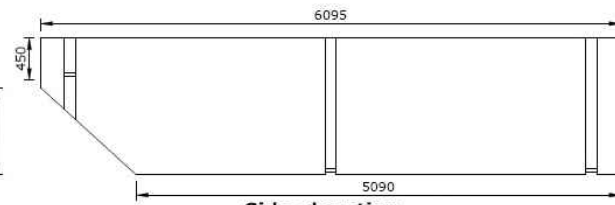
Each barge section measures 6.1m x 2.5m x 1.5m and can be transported on a 40ft flatbed truck 4 at a time.

If all 16 sections were to be joined together this would form a flat top barge with multiple internal sub divided compartments measuring 24.5m x 10m x 1.5m.

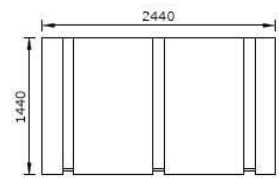
- | | |
|-------------------|---|
| Dimensions: | 6.1m x 2.5m x 1.5m |
| Number available: | 4 x scow ends, 8 x centre sections, 4 x bow ramps |
| Maximum crane: | 70t crawler crane (TBC) |
| Sub division: | 2 watertight compartments with flush hatches |
| Deck equipment: | Bollards, stanchions, spudlegs and dive/mob ladder can be provided. |
| Deck protection: | Timber deck protection can be provided. |



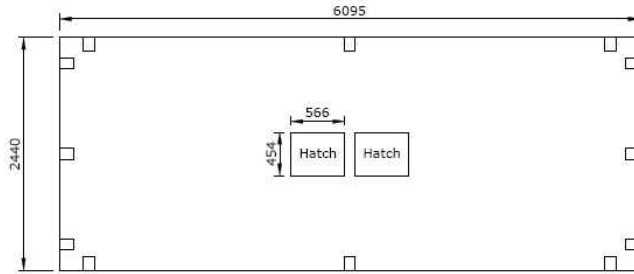
Forward Elevation



Side elevation

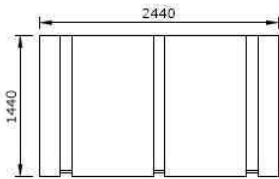


Aft Elevation

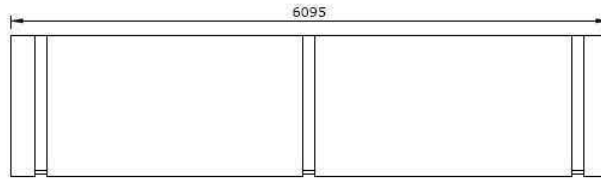


Deck Plan

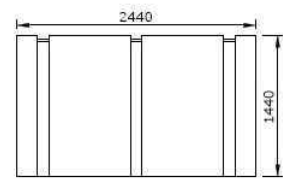
Scow end



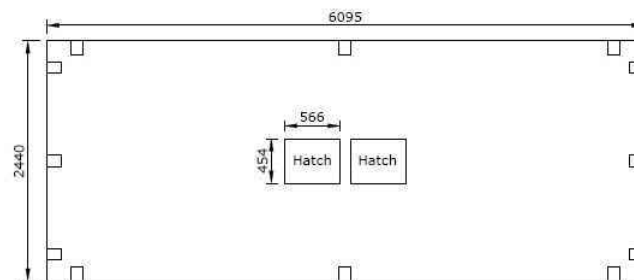
Forward Elevation



Side elevation

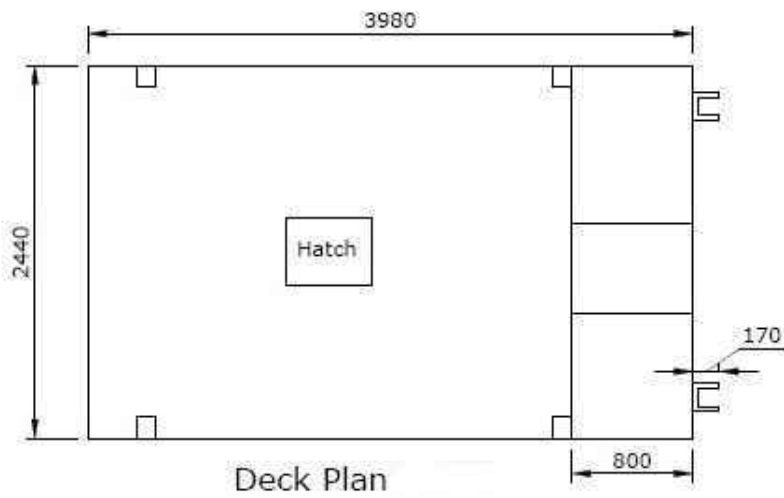
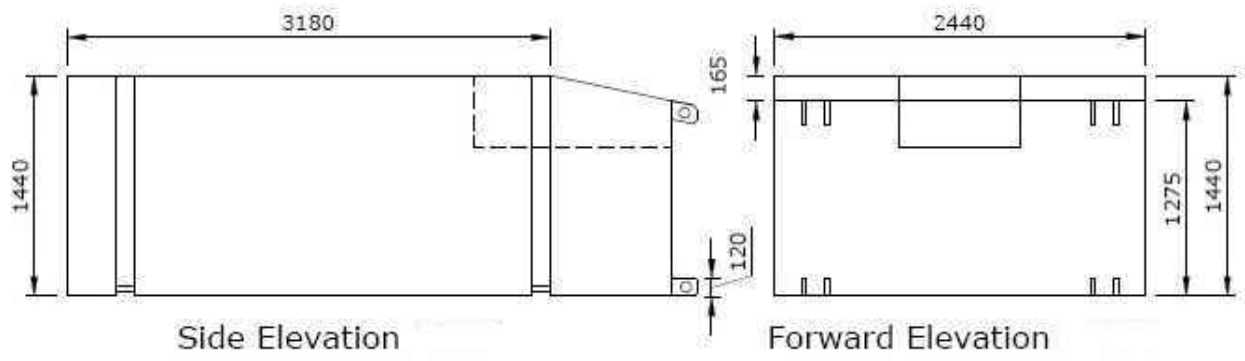


Aft Elevation

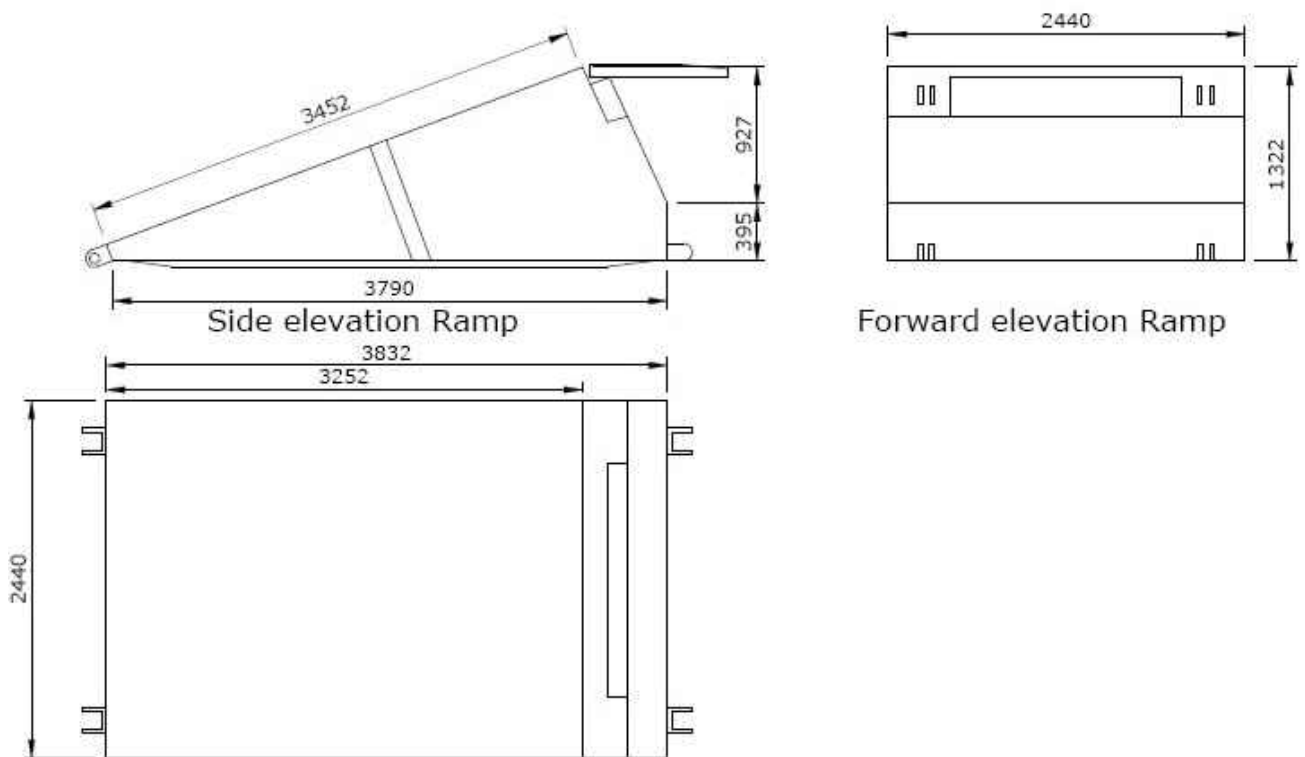


Deck Plan

Centre section



Loading ramp joiner



Loading ramp